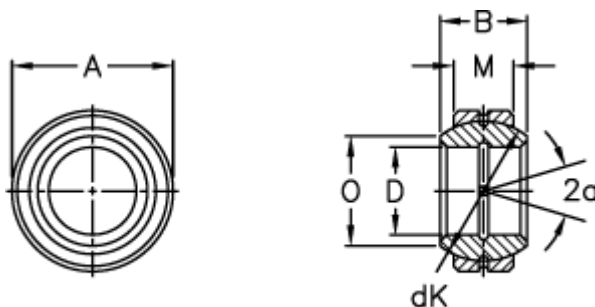


Article number: 03505010

Description: Fluro Rod end GE 10FO

Measures



Str. 6–12 uden smørerille

A	= 22 0 -0,009	Tilt angle = 18
B	= 12	Weight = 20
D	= 10 0 -0,008	
dK	= 18	
Dynamic load C (kN)	= 10.8	
M	= 7	
O	= 13.4	
Static load C0 (kN)	= 54	